

release, normal open contacts always disconnect, normally closed contact closing, the issue of start Signal generator. Generators to be started automatically switch to standby power (generator power), power refers to that lights, bright lights switch on standby power, if the main power supply troubleshooting, this product will automatically Switch to the main power supply, relay action, normally open contact closing, normally closed contacts disconnect issue stop signal generator.

Fire Signal Interface for fire-fighting equipment in the remote control after the warn cut off the power switch, when the fire signal Input, the switch will automatically switch to the dual break location cut of power load, when the fire signal will be removed and close the power supply automatically. Note: The external interface can always take a group of passive contacts, if the fire-fighting equipment sending the signal for active signal must first pass a small relay to normally open relay contacts after the access controller.

10、 USE OPERATION

However the main power supply and backup power supply with voltage or not, both can be operated manually. Manual mode of operation, first should put manually - automatically switches placed in manual position, when the handle clockwise to the end, the standby power circuit breaker QR implementation open, the implementation of main power circuit breaker reclosing QN; when the handle-to-end anti-clockwise rotation, the main power circuit breaker QN open, the implementation of standby power circuit breaker reclosing QR.

On the Panel, the power indicator light (yellow) to direct the work of automatic controller power supply, if the light does not shine, mean Automatic Working power failure, can't operate switch. Repair to be normal, put manually - automatically switches placed in auto Status, if main power used properly, transfer switch will implementation of main power circuit breaker reclosing QN state, switch panels usual closed light (green) light; if the main power supply is abnormal, the change-over switch will input circuit breaker QN open, QR closing status, and in panel back-up closing panel indicator (red) light.

11、 MAINTAIN

Switch panel have 1A fuse and 1pcs with three terminal blocks, fuse as the automatic controller Short-circuit protection. Connection terminal as Instruction signal light for control box access panel to provide active power, the voltage of AC 220V, current of 150mA, which is main power signal F1 power, F2 signal power for the standby power, N3 as public neutral line.

AUTOMATIC TRANSFER SWITCH

OPERATION INSTRUCTIONS

Suggest send the instruction to final user

1、 GENERAL

This series automatic transferswitch is independent of the Company to develop products. It is comply GB/T14048.11 standards, also in line with the "fire safety in high buildings", "Architecture based of fire safety norms, "" Emergency Lighting Design Guide, "" civil electrical design specifications " and so on. Products, parts, components aging rigorous screening, finished after 168 hours continuous keep electricity running dry, and finally after passing through the test before the factory. Guarantee a reliable product and safety.

2、 APPLICATION SCOPE

Q1 series automatic transfer switch, which applies to the AC rated voltage not exceeding 415V, rated frequency 50/60HZ, rated current 63A and below, double-power switching power supply system. To ensure that medical Hospitals, shopping centers, banks, fire, communications, high rise buildings and other places not allowed to supply electricity.

3、 FUNCTION CHARACTER

The product structure is simple, practical and convenient operation, long life, use mini Circuit Breaker, with breaking capacity and features.

This product has a chain of electrical and mechanical interlock to ensure that the two power supply can't supply at sametime.

Completion of the new machine driven switching process, with a balanced, low noise, the advantages of a small impact.

Commonly used in the main circuit of a power failure to immediately switch to standby power in order to ensure non-stop for Electricity, often excluded from power failure, automatically switch to standby power from the power supply used.

The product interfaces with the fire, can be easily linked with the fire-fighting equipment, remote control switch to cut off the power

The product interfaces with the generator to facilitate the realization of automatic generator start and stop.

4、 APPLICABLE RANGE

4.1 Ambient temperature no higher than +40°C and no lower than -10°C.

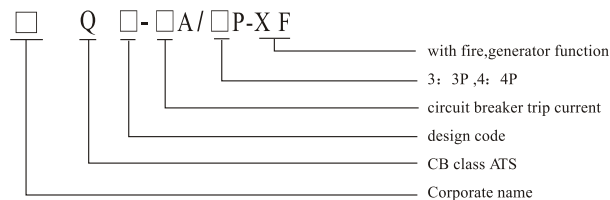
4.2 Installation site: Altitude above sea level not high than 2000m.

4.3 Pollution class: class 3, without explosion hazard, corrosive metal elements, and gas, liquid and conductive dust destroying insulation in ambient air.

4.4 Atmospheric conditions: RH of air not exceeding 50% under the max temperature +40°C no high RH under low temperature; the average temperature of the wettest month, not exceeding +25°C, and the average max RH of the month not exceeding 90%.

4.5 In case the above conditions can't be satisfied, the user and the manufacturer should settle the issue through negotiation.

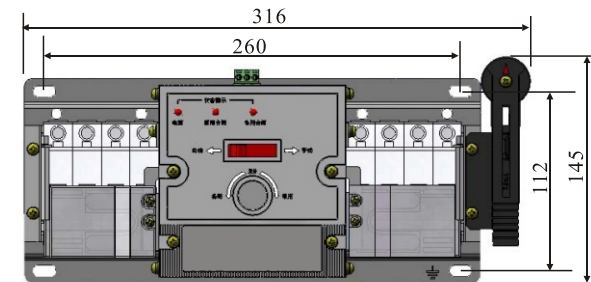
5、 MODEL AND MEANING



6、 SPECIFICATION AND PARAMETER

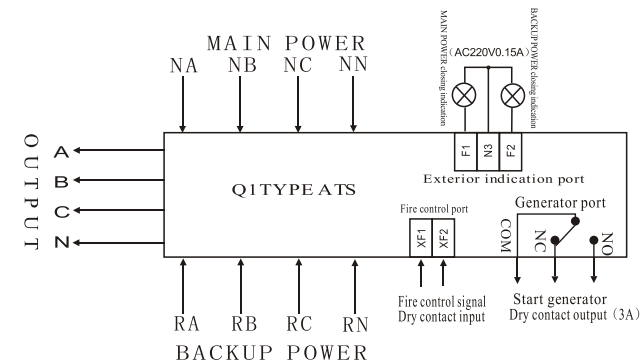
Pole No.	Rated voltage Ue(V)AC	Rated current In(A)AC	Frequency (Hz)	Limit short break capacity (A)/cos(φ)	Machine life (times)
3	380V	6、 10、 16、 20、 25、 32、 40	50/60	6000/0.65	10000
4		20、 25、 32、 40、 50、 63		4500/0.70	
3/4		80、 100、 125		L7 Isolation switch without this item	

7、 OVERALL AND INSTALLATION DIMENSIONS



HIGH IS ONLY :123

8、 CONNECTION PRINCIPLE DIAGRAM



Notes: This diagram applicable 4P ATS, if choose 3P ATS, Main power Neutral line (NN) and Backup Power Neutral line (RN) must connect to 3P neutral port.

9、 WORK PRINCIPLE

When the main power supply voltage normally, the function keys under the auto, the standby power open, the main power is closed, to ensure that main power supply connected to the load, the power indication lit, main power switch indicator, if close bright. If when the main power failure, the relay