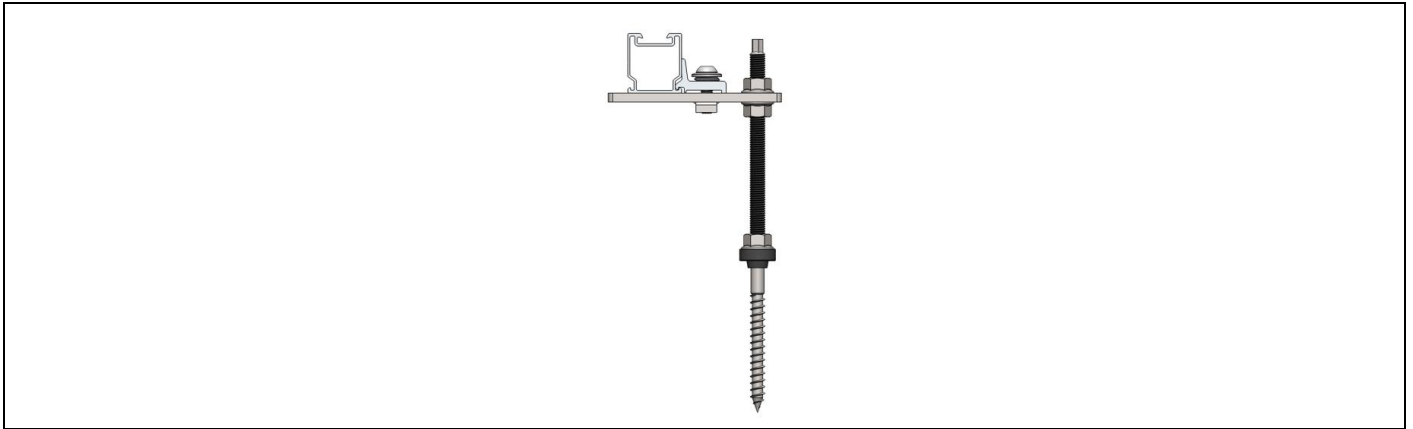


## Hanger Bolt M10\*250mm, with Toroda Rail Clamp V2

### Assembly

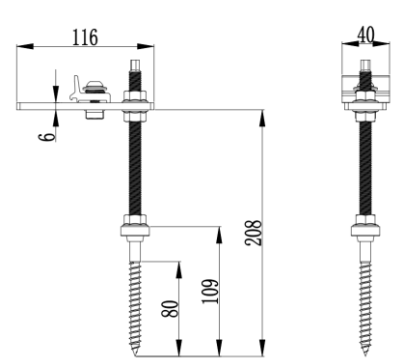


### Component



Hanger Bolt M10\*250mm, with Toroda Rail Clamp V2  
Part No.: ER-HB-10/250/TO (bar code: 12-011-01106)

### Technical Specification

<b>Application</b>	Metal Sheet Roof with Timber Rafter or Purlin	
<b>Roof covering</b>	Trapezoidal, Corrugated and Sandwich roof	
<b>Screw Specification</b>	Hanger Bolt M10*250mm	
<b>Dimensions</b>	L116*W40*H250*T6mm	
<b>Weight</b>	0.388 kg	
<b>Packaging</b>	44 units per carton	
<b>Material</b>	Hanger Bolt: SUS304 Mounting Plate: SUS304 Fasteners: SUS304 Rail Clamp: AL6005-T5 Waterproof Gasket: EPDM	
<b>Standard</b>	GB50797   AS NZS1170.2   EN1991   JISC8955   ASCE 7-10	